



Unicomp Technology

A Leader in the Intelligent X-Ray
Inspection Equipment

CX3000

X-Ray Inspection Equipment



<http://en.unicomp.cn>

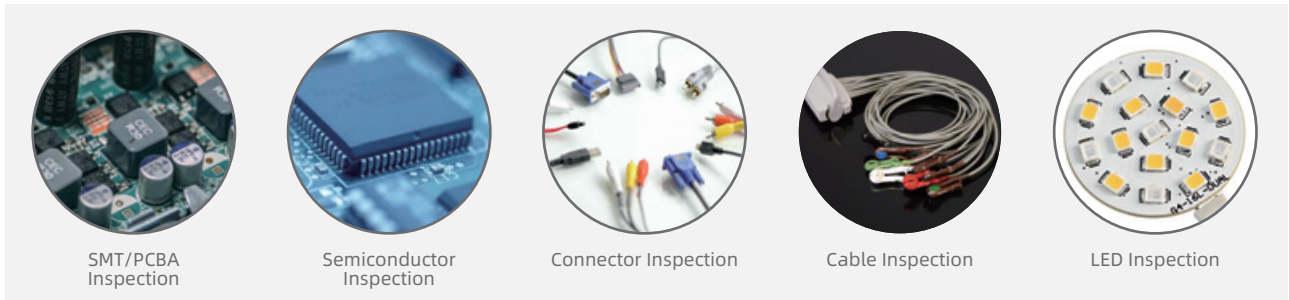
CX3000



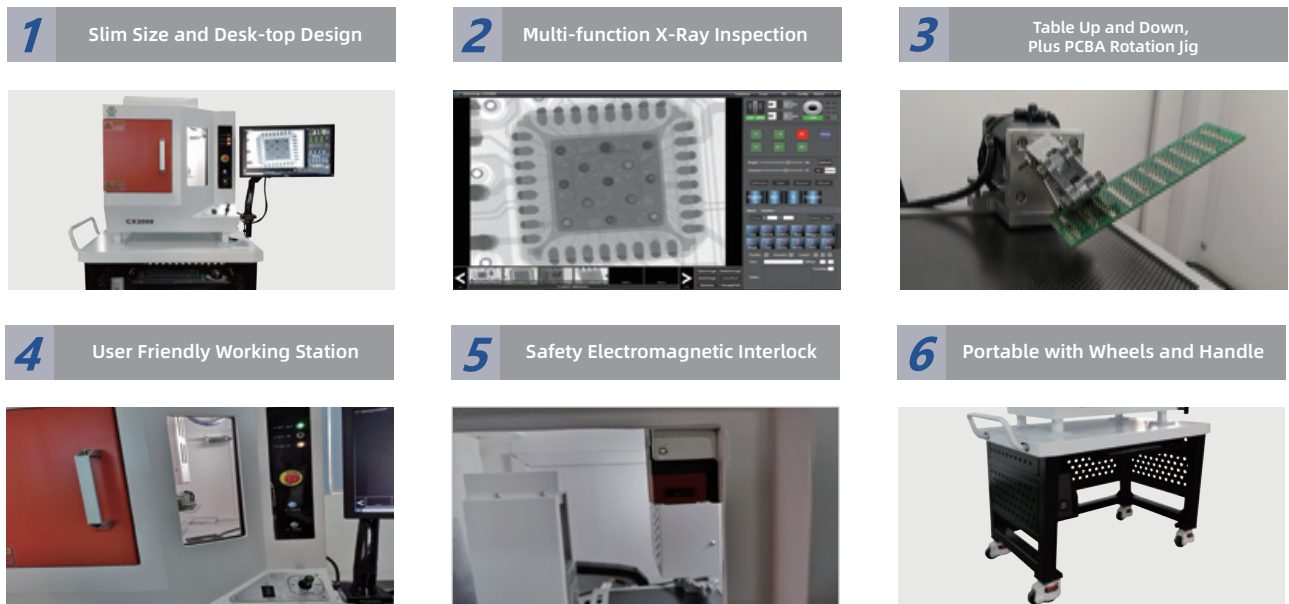
Unicomp Technology

Widely applied for BGA , CSP , Flip Chip, LED , Fuse, Diode, PCB, Semiconductor, Battery Industry, Small Metal Casting, Electronic Connector Module, Cables, Aerospace Components, Photovoltaic Industry, etc.

Application Fields



Functions and Features



Inspection Images





A Leader in the Intelligent X-Ray Inspection Equipment

Technical Parameters and Specifications

System Summary

Footprint	1480(W)×750(D)×1680(H)mm	Plywood Packing Size	150(W)×115(D)×115(H)cm
Machine Weight	300 kg	Packing Weight	400 kg
Power Supply	AC 110~220V, 50/60Hz	Power Consumption	1.0 kW

X-Ray Tube

Tube Type	Sealed	Max. Power	8W
Voltage	0~90kV (Adjustable)	Focus Spot Size	5µm

Imaging System

Detector	Flat Panel Detector (FPD)	Pixel Size	49.5µm
Effective Detection Area	50*50mm	Frame Rates	30fps
Pixel Matrix	1172*1100	System Magnification	200X

Software

Auto-measuring	BGA Soldering Voids Auto-measuring and Support Data/Graphic Output
Multiple Measuring Tools	Support Measuring Distance, Angle, Diameter, Polygon, PTH filling rate, etc.
Real-time Display	Real-time Displaying the Working Data of Voltage, Current, Angle, Date, etc
Navigation	Navigation in Visual Windows
User Friendly	Easy Operation and User Friendly

Motion Control System

Movement Control	Joystick, Keypad & Mouse
Max. Loading Area/Weight	235*205mm /5kg
Max. Inspection Area	190*165mm
Tilting Angle	±360°
Manipulator	3-axis with X / Y / Z

Industrial PC

Monitor	22" FHD LCD Display
System OS	Windows 10 64bit
Hard disk	1TB
RAM	8GB
CPU model	Intel i7 Processor

Other Features

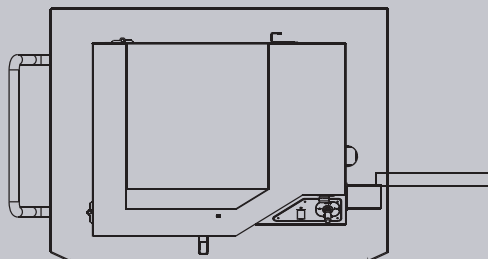
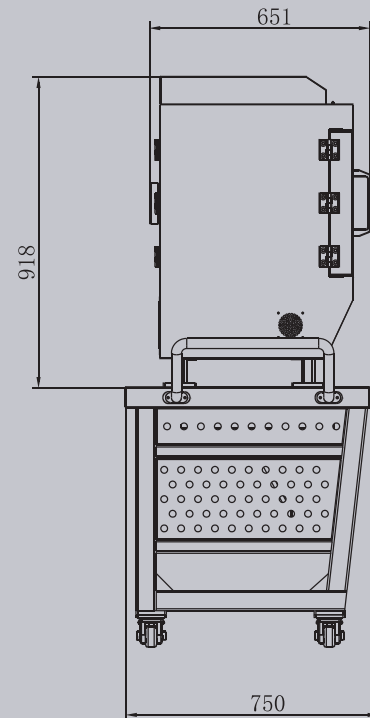
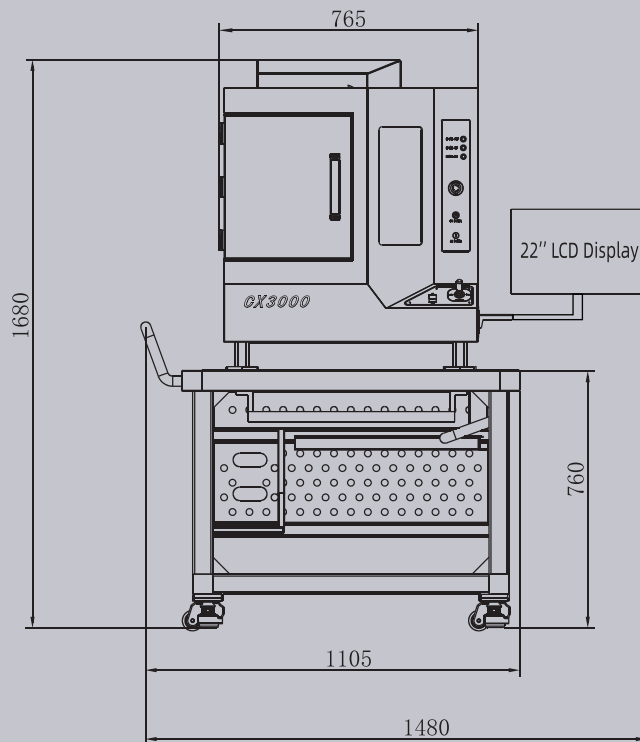
Energy Saving	X-Ray Auto-off when it's out of work over than 5 minutes	Safety Operation	Electromagnetic Interlock and Warning Light
Authority Management	Password Management	X-Ray Safety	<1µSv/h (Meets All International Standards)

* Specifications are subject to change without notice, All trademarks are the property of the system maker.

Dimensions and Appearance



Scan the QR-Code to visit more information



UNICOMP TECHNOLOGY CORPORATE:

Wuxi Unicomp Technology Co., Ltd (HQ)

No. 11, Lijiang Road, Xinwu District, Wuxi City, Jiangsu Province, China

Zip Code: 214112

TEL: +86-510-68506688

FAX: +86-510-81816018

Shenzhen Unicomp Technology Co., Ltd

Building A, Bangkai Technology Industrial Park, No. 9 Bangkai Road, High-tech Industrial Park, Guangming District, Shenzhen, China

Zip Code: 518017

TEL: +86-755-26650316 FAX: +86-755-26650296

Chongqing Unicomp Technology Co., Ltd

Yingang Industrial Park, No. 71, Tongxing South Road, Beibei District, Chongqing City, China

Zip Code: 400709

TEL: +86-23-63226131

FAX: +86-23-63228366